

ALPA[®] | **POWDER TECH**

SHANDONG ALPA POWDER TECHNOLOGY CO., LTD.



Three-In-One Laboratory Classifier Mill

325-10000 mesh (45 μ m-1 μ m)

Three-In-One Laboratory Classifier Mill

The first three-in-one combined structure is flexible in jet milling, air classifying and mechanical grinding. Suitable for 325-10000 mesh (45 μ m-1 μ m).

Features:

Compact structure, convenient combination, gas seal, small footprint, PLC control, easy operation, wide application. Easy to disassemble and clean, no dead ends. Can be applied to a variety of grinding processes.

Applicable:

Especially suitable for R&D and testing of new products in research institutes, universities laboratory, research institutes and factory laboratories.

For more information, please Email or call our 24-hour hotline.

✉ es@alpapowder.com 📞 0086-532-66983518



Unique advantages

To achieve ultrafine, high purification, functional, intelligent, carbon reduction, energy conservation and environmental protection is the mission and responsibility that time has given us.



Easy disassemble

Combined structure and mobile mechanical grinding unit are convenient for disassembly and assembly.



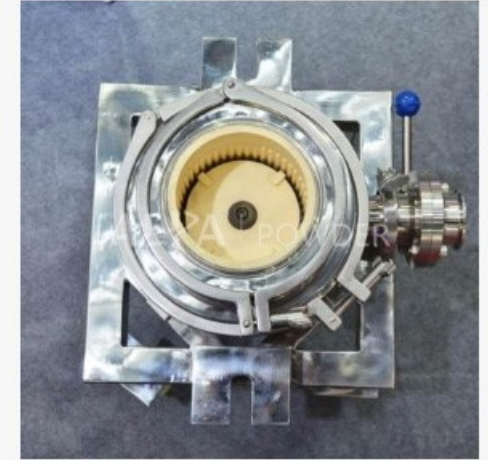
PLC control, easy to operate

Small footprint, PLC control, easy to operate, wide application.



Horizontal high speed classifying rotor

Horizontal high-speed classifying rotor up to 18,000 rpm.



Full ceramic

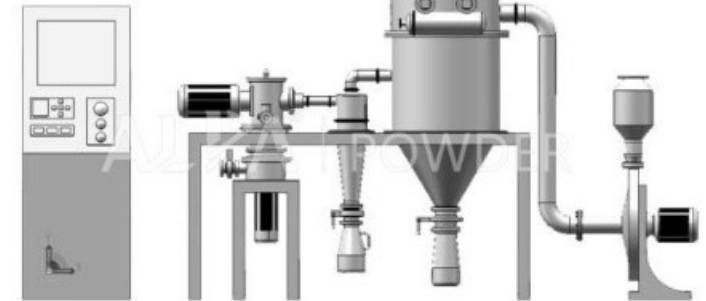
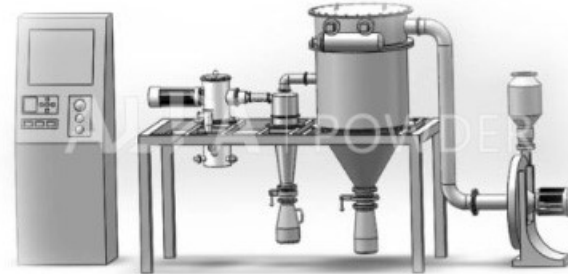
Mechanical mill can achieve full ceramic.

Working Principle

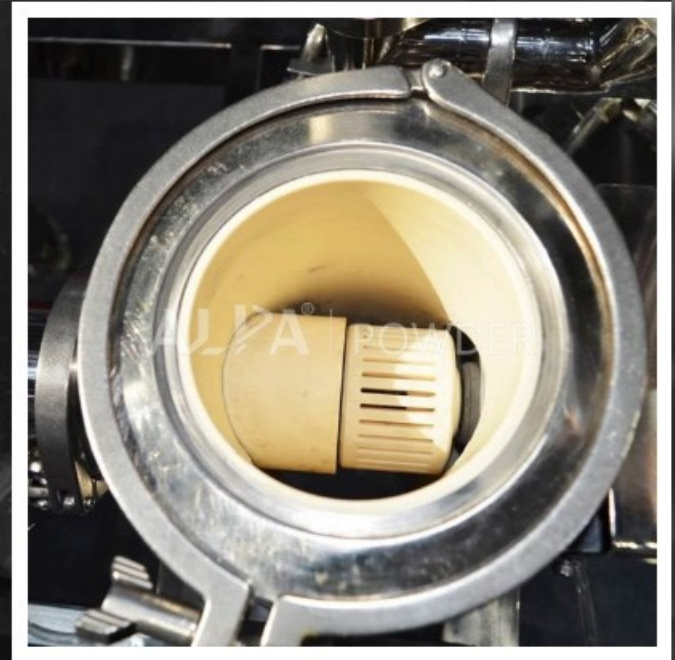
Creating the future of advanced materials with powder technology.

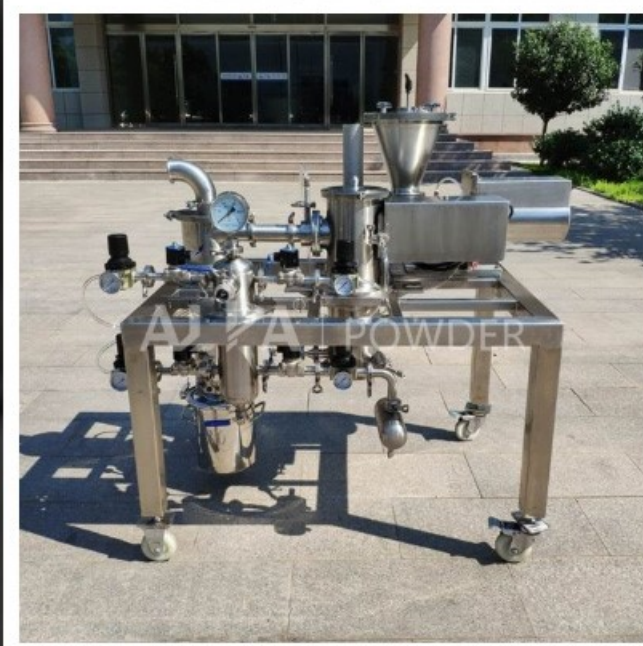
Material enter jet mill (mechanical mill) by automatic feeding system, the particle is separated by high-speed rotating classifier impeller, the qualified powders are collected into cyclone collector, coarse

particles are returned to grinding zone. If need to classify the materials separately, adjust impeller speed through frequency converter to achieve classifying different particle sizes.



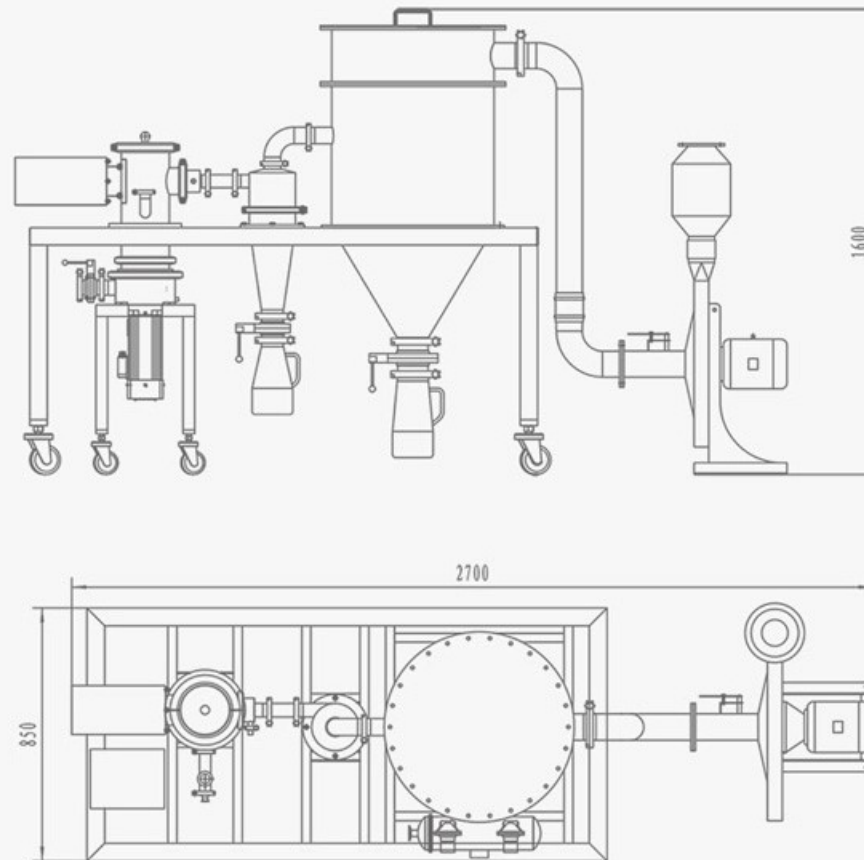
Product Atlas





Technical Parameters

Germany's exquisite technology has been passed down and carried forward by us. Over 30 patents have enabled our products to lead the world.



Related Engineering Case

More than 1,000 stories have been collected here. the next one, told by you.



ShangHai BASF Three-in-one jet mill used in the laboratory

Applications and Services

Equipment is the foundation, technology is the soul, and service is the guarantee.



Application Scenarios

This equipment is especially suitable for research institutes, universities laboratory, research institutes, factory laboratories, R&D and testing of new products.



Customer Service

From your first call, to the next communication, inspection, testing, detection analysis, determining the product model and process flow, to complete equipment manufacturing, installation and commissioning, worker training and compliance production, we will ensure that every step is implemented in place. In order to make you a word-of-mouth communicator of ALPA products and services, we will spare no effort.



Product Parts

The parts service provided by ALPA has been servicing more than 1,000 customers for 18 years and has been proven by markets. The parts are shipped quickly, with full stock, good quality, low loss and long service life, ensuring the continuous and stable operation of your equipment.

WHO IS WITH US?

37 Global 500 companies, 89 China 500 companies, and 169 state key laboratories.
More than 3,000 customers chose us.





LEADING THE INDUSTRY

THE WORLD'S LEADING MANUFACTURER ON ULTRAFINE POWDER EQUIPMENT

To learn more, please visit
<https://www.alpapowder.com>

